

# Compression Couplings BC-CC

## APPLICATIONS

**Boss Compression Couplings** are specially engineered to provide a quick solution for connecting high pressure pipe and pneumatic tubing. Applications include dust collection and pneumatic conveying systems. **Boss Compression Couplings** are available in a full range of standard pipe and tubing sizes, rated for pressures up to 362.6 psi / 25 bar.

**Boss Couplings** are designed with a **Revolutionary Grounding Fastening Technology**.

Standard sizes range from 1-1/2" to 6" diameters, with larger and special sizes available.



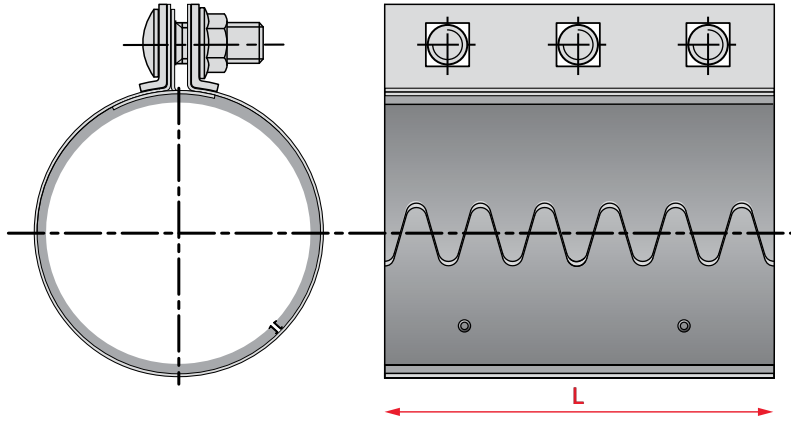
### STANDARD FEATURES

- Heavy duty **galvanized steel** construction.
- Outside skin in **galvanized steel**
- Gasket cover in **galvanized steel**
- **White NBR gasket** or **black rubber SBR gasket**  
-22°F/+230°F (-30°C/+110°C)
- Zinc : Oared bolts
- Conductivity with eyelet

### OPTIONAL FEATURES

- **Stainless steel 304L** version
- Silicone VMQ gasket -85°F/+437°F (-65°C/+225°C)
- Viton FPM gasket -4°F/+482°F (-20°C/+250°C)
- Coupling with clamp and side bars
- Coupling for tubes with different diameters
- Conductivity strip in **copper CU A1**
- Conductive protection ring in **stainless steel 304L**

# DIMENSIONS



LENGTH	2 Bolts	3 Bolts	4 Bolts
	4"	6"	8"
SIZE OD	1-1/2" <> 10" inch		

Avail.SIZES Tube & Pipe	LENGTH		
	2Bolts / 4"	3Bolts / 6"	4Bolts / 8"
Inch			
1-1/2 "			
2 "			
2-1/2 "			
3 "			
4 "			
5 "			
6 "			

On stock