

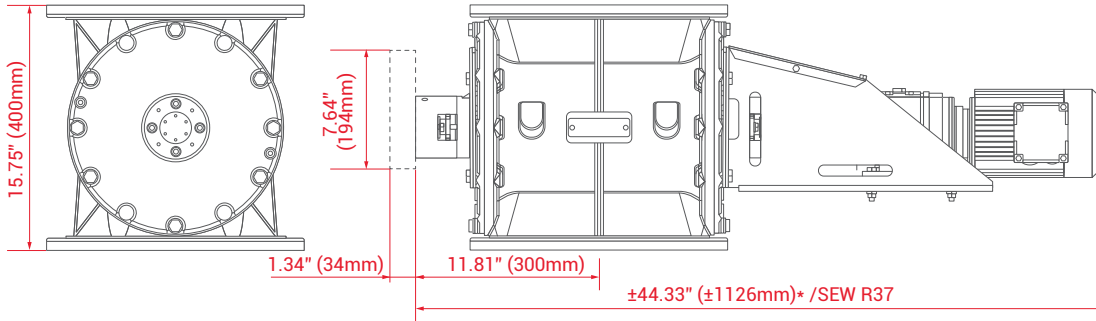
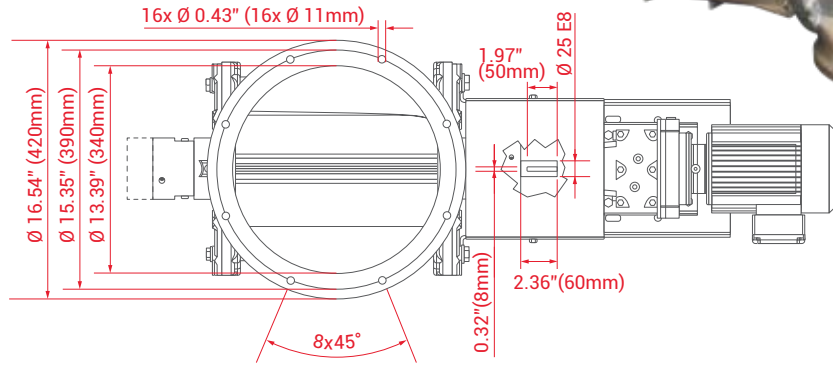


Rotary Valve VDL-HTSHB (Heat resistant)

PRODUCT CODE: 59806

APPLICATIONS

- Ideal for dust collectors, cyclones, silos, hoppers & specialized process applications
- Rotary valve is suitable for ambient temperature up to 104°F/40°C
- Suitable for product temperatures up to 572°F/300°C
- Tested for high vacuum applications up to 160" WG
- Rotor selections for dry, corrosive & sticky material



* Length varies dependent on motor selection

	VDL-HTHBS-250	VDL-HTHBS-350
Body and covers	Cast iron GG25	
In- and outlet	10" / 250 mm	14" / 350 mm
Rotor construction	Open, with 8 chambers	
Drive unit	Direct, with chain coupling and gearmotor HTSHB 250 : 0.33 HP (15 RPM) - 0.50 HP (30 RPM)	Direct, with chain coupling and gearmotor HTSHB 350 : 0.50 HP (15 RPM) - 1.00 HP (30 RPM)
Finishing	<ul style="list-style-type: none"> ■ Inlet and outlet painted in heat resistant, silver paint ■ Body, covers and motor console painted in heat resistant, silver paint 	
Sealing	Adjustable gland packing	
Bearings	External heat resistant ball bearings	
Max. operating pressure	160" w.g. / 40.000 Pa	
Temperature	5°F up to 572°F / -15°C up to 300°C	
Capacity (100% filling)	0,23 ft ³ (7 liters) / rev	0,70 ft ³ (20 liters) / rev



ROTORS



INSULATION