



Heavy Duty Barometric Dampers EB-BDHD

PRODUCT CODE: 55601

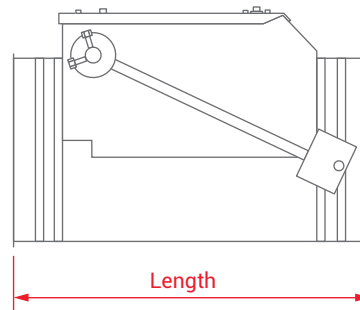
APPLICATIONS

EcoBOSS® Heavy Duty Barometric Dampers are designed to automatically bleed in air to avoid fan instability and maintain suitable conveying velocities in duct lines.

DIMENSIONS

| HEAVY DUTY BAROMETRIC DAMPERS | |
|-------------------------------|--------|
| Ø | Length |
| 6" | 17" |
| 8" | 19" |
| 10" | 21" |
| 12" | 23" |
| 14" | 25" |
| 16" | 27" |
| 18" | 29" |
| 20" | 31" |
| 22" | 33" |
| 24" | 35" |

* Units in inches rounded to the closest whole number



STANDARD FEATURES

- Heavy duty galvanized steel construction
- Heavy duty adjustable counterweight with safety chain
- Removable inspection door
- **Sizes 6" through 18"** :
90° flared ends for use with optional quick connection clamps and adaptors
- **Sizes 20" and larger** :
Flanged ends with co-flanges

OPTIONAL FEATURES

- Pneumatic model with velocity sensor
- **Sainless steel AISI 304 and 316** construction