

High Speed Abort Gate EM-HSAG02

APPLICATIONS

The EcoMAXX® High Speed Abort Gate is specifically designed to be installed as a safety component when filtered air is returned to a building. NFPA requires a High Speed Abort Gate to be activated by a FM Approved spark detection and extinguishing system. When the EcoMAXX® Spark Detection & Extinguishing Control Module detects a potential hazard, the return air is diverted to atmosphere, aborting potential fire from entering a workspace. This abort function can also be activated by the EcoMAXX® Dust Probe when dust particles are detected and/or the EcoMAXX® Thermal Probe.

The EcoMAXX® High Speed Abort Gate is just one of the essential Fire & Explosion Protection system components provided by Boss Products. This component includes specific protection for Explosion Prevention, Fire Isolation & Diversion, specifically designed and engineered to be installed for the protection of workers, equipment, and buildings.

The EcoMAXX® High Speed Abort Gates is designed for actuation by an EcoMAXX® Spark Detection System which may include Spark Detectors (as required by NFPA), Broken Bag Detectors in the duct or Thermal Probes to detect rapid temperature rise in the filter enclosure. The EcoMAXX® HSAG02 may also be incorporated to be actuated by external building alarm systems.



CERTIFICATIONS & STANDARDS

NFPA Compliant when used in conjunction with FM Approved Spark Detection System



STANDARD FEATURES

- 24V DC Control Panel with Status Lights
- Weather Hood
- Manual Reset Level
- Epoxy Powder coated safety red finish
- Flanged Inlet & Outlet
- NFPA Compliant with Spark Detection
- Electromagnetic Locking Mechanism

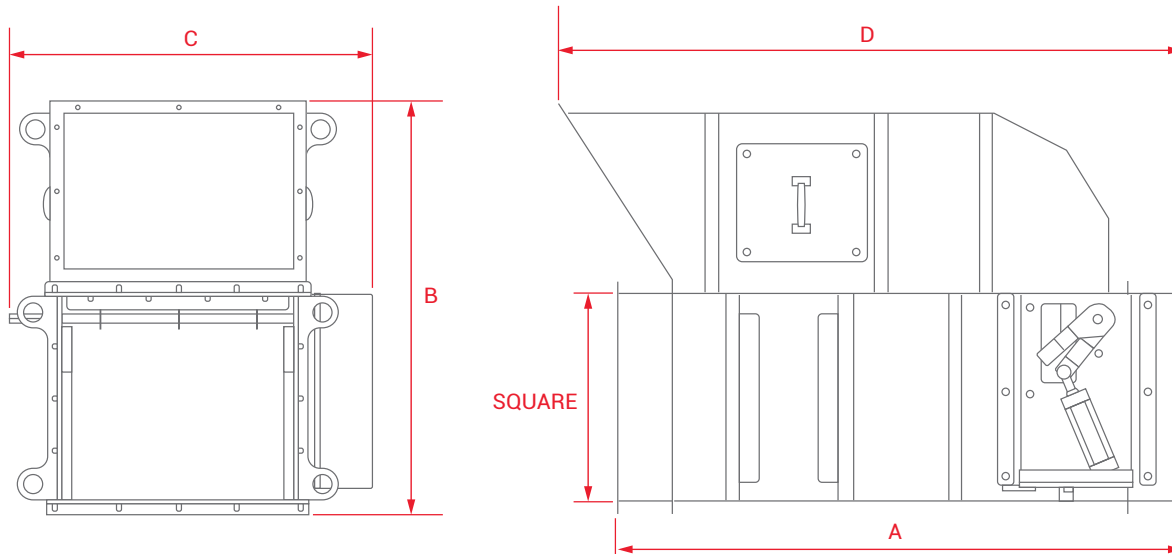
OPTIONAL FEATURES

- 110V AC Control Panel with Status Lights Pneumatic Reset EcoMAXX® Spark Detection & Extinguishing System



PRODUCT CODE: 56702

TECHNICAL INFORMATION



HIGH SPEED ABORT GATE SPECIFICATIONS

ø [in] equivalent	Square [in]	Voltage	Reset	A [in]	B [in]	C [in]	D [in]
20	18x18	24 VDC	Manual Lever	41.0	25	12	40.50
24	22x22	24 VDC	Manual Lever	55.0	44	22	59.19
36	32x32	24 VDC	Manual Lever	77.5	63	32	87.44
44	40x40	24 VDC	Manual Lever	97.5	78	40	111.50
54	48x48	24 VDC	Manual Lever	115.5	92	48	132.94
60	54x54	24 VDC	Manual Lever	115.5	104	54	136.44
68	60x60	24 VDC	Manual Lever	115.5	115	60	136.44

copyright 2020 Boss Products, LLC

