



Certified Rotary Valve EMVDL-RVEX-HTS

PRODUCT CODES: 58100, 58101, 58102, 58103 & 58131

APPLICATIONS

- Passive explosion isolation, **ATEX EN 15089 / NFPA 69**
- Rotor selections for dry, corrosive & sticky material
- Tested for high vacuum applications **up to 160" WG**
- Ideal for dust collectors, cyclones, silos, hoppers & specialized process applications

CERTIFICATIONS & STANDARDS

EN 15089

CE 0588 II ID/* c T4 D FSA 15 ATEX 1661/1662 X

NFPA 69 compliant

Flex tip design certified to prevent flame passage

NFPA 69 12.2.4.3.6 compliant

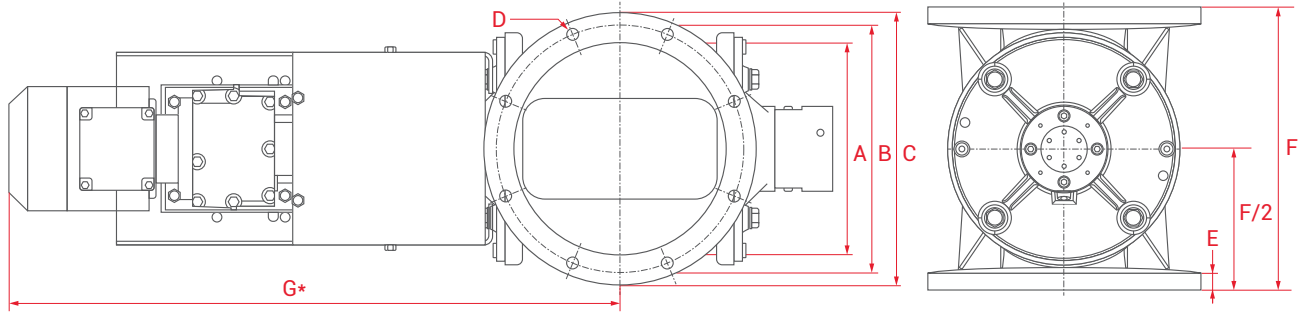


STANDARD FEATURES

- Explosion & Flame Proof design rated up to **36 psi / 2.5 bar** (25 psi / 1.7 bar with polyurethane flex tip rotor)
- Cast iron body with flanged inlet and outlet
- NFPA Compliant with **8 blade polyurethane** flex tip rotor
- NFPA Compliant with **8 blade steel** or **S/S** construction
- Dust tight ball bearings & shaft seal with adjustable packing
- 15 RPM** direct drive gearmotor w/flex coupling, **IP65, USA mfg**

OPTIONAL FEATURES

- Motors for hazardous locations and extreme temperature
- 30 RPM** gearmotor with EM variable speed control package
- Square to round flange adapter incl. gasket and mounting bolts
- S/S** construction, quick disassembly, and specialized coatings
- Insulation box, speed monitor, injector fittings and scrapers

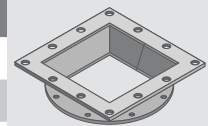


DIMENSIONS*

MODEL	15 RPM HP	30 RPM HP	CAPACITY FT ³ (LTR)	Ø A	Ø B	Ø C	D	E	F*	G
EMVDL RVEX-HTS250	0.33	0.75	0.24 (7)/rev	10" (250 mm)	12" (290 mm)	13" (320 mm)	8 x Ø12 mm	0.79" (20 mm)	13" (330 mm)	28" (710 mm)
EMVDL RVEX-HTS350	0.50	1.00	0.70 (20)/rev	14" (340 mm)	15" (390 mm)	17" (420 mm)	8 x Ø12 mm	0.79" (20 mm)	16" (400 mm)	33" (830 mm)

SQUARE TO ROUND TRANSITIONS*

SQUARE TRANSITION (Nominal Size Inches)	6X6	8X8	10X10	12X12	14X14
Model : EMVDL-RVEX	HTS250	HTS250	HTS250	HTS350	HTS350
Transition Height	2.84" (72 mm)	2.80" (71 mm)	2.80" (71 mm)	2.80" (71 mm)	2.80" (71 mm)
Overall Height (Dim F + Transition Height)	16" (402 mm)	16" (401 mm)	16" (401 mm)	19" (471 mm)	19" (471 mm)



* Length varies dependent on motor selection – Units in inches rounded to the closest whole number