

# Explosion Diverter EV-VDIV

## APPLICATIONS

The **EV-VDIV Diverter Valve** with integral explosion panel is the ideal addition to any exterior process flow duct system where there is potential for hazardous explosive overpressure or multiple explosive events. This device helps reduce the potential for system damage caused by high overpressure and rapid flame front expansion.



### CERTIFICATIONS & STANDARDS

EN 14491  
EN 14797  
NFPA 69



### STANDARD FEATURES

- Body painting steel
- Explosion flat vent panel VL or domed explosion vent panel VD

### OPTIONAL FEATURES

- Stainless steel body

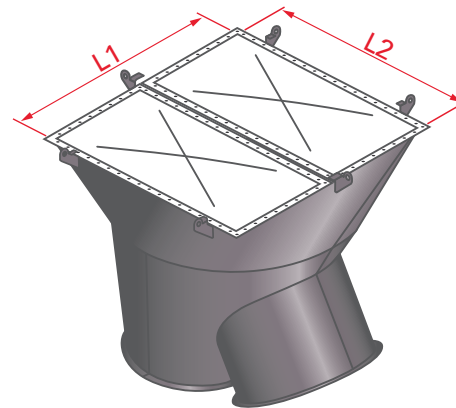
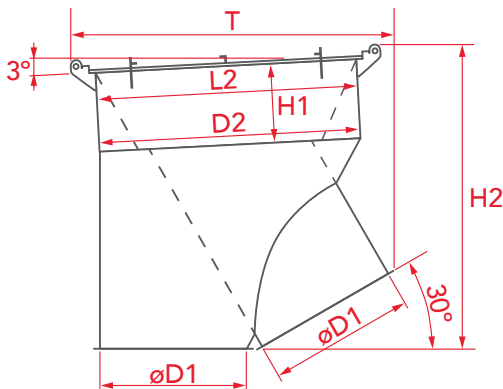


PRODUCT CODE: 50800

## DIMENSIONS

DIMENSIONS								
ø [in/mm]	H1	H2	D1	D2	L1	L2	T	Vent panel
8/200	6/150	22/555	8/200	16/410	16/410	16/410	27/685	VD 16"x16" (410x410 mm)
10/250	7/175	24/600	10/250	20/490	20/490	20/490	31/781	VD 19"x19" (490x490 mm)
12/300	8/200	28/700	12/300	24/610	24/610	24/610	35/875	VD 24"x24" (610x610 mm)
14/350	9/225	32/800	14/350	26/645	26/645	26/645	39/975	VD 25"x25" (645x645 mm)
16/400	10/250	36/900	16/400	31/780	31/780	31/780	43/1070	VD 31"x31" (780x780 mm)
18/450	11/275	40/1000	18/450	34/850	37/920	37/920	47/1165	VD 36"x36" (920x920 mm)
20/500	12/300	44.1100	20/500	37/920	37/920	37/920	50/1260	VD 36"x36" (920x920 mm)
22/550	13/325	48/1200	22/550	39/980	39/980	39/980	54/1355	VD 39"x39" (980x980 mm)
24/600	14/350	52/1300	24/600	43/1070	41/1020	41/1020	58/1455	VD 40"x40" (1020x1020 mm)
26/650	15/375	56/1400	26/650	47/1180	47/1180	47/1180	62/1550	VL 46"x46" (1180x1180 mm)
28/700	16/400	60/1500	28/700	50/1250	55/1375	55/1130	66/1645	VL 25"x44" (645x1130 mm Qty 2)
30/750	17/425	64/1600	30/750	54/1350	58/1455	58/1350	70/1740	VL 27"x53" (685x1350 mm Qty 2)
32/800	18/450	68/1700	32/800	57/1430	58/1455	54/1350	73/1835	VL 27"x53" (685x1350 mm Qté 2)
34/850	19/475	72/1800	34/850	61/1520	64/1605	61/1520	77/1930	VL 30"x60" (760x1520 mm Qty 2)
36/900	20/500	76/1900	36/900	64/1600	64/1605	61/1520	81/2030	VL 30"x60" (760x1520 mm Qty 2)
38/950	21/525	80/2000	38/950	68/1700	71/1785	71/1780	85/2125	VL 33"x70" (850x1780 mm Qty 2)
40/1000	22/550	84/2100	40/1000	71/1780	71/1785	71/1780	89/2220	VL 33"x70" (850x1780 mm Qty 2)

Dimensions are rounded up to the closest whole number



## TECHNICAL INFORMATION

MODEL	KST MAX	Pred. Max	PMAX	DUST
VD-VDIV	St2 ≤ 300 bar.m/s	12 psi 0.8 bar	174 psi ≤ 12 bar	Any kind of dust

