

No Return Valve EM-NRV

APPLICATIONS

The installation of an **Explosion Isolation Device** on all suction side ducts that transport material with a Kst value above zero is an **NFPA Requirement**.

Installing a **SAFETY SMART EcoMAXX® No Return Valve (EM-NRV)** will protect workers and facilities from the damaging effect of a baghouse or filter explosion.

EM-NRV Explosion Isolation Valves are designed for use with all **EcoMAXX® High Speed Abort Gates, Fire Break Shutters, Spark Detection & Extinguishing/Suppression Systems, and Energy Management Systems.**



CERTIFICATIONS & STANDARDS

EN 16447
NFPA 69



STANDARD FEATURES

- Heavy-duty welded steel construction
- Flanged inlet and outlet with co-flanges
- Inspection/access door
- Grounding lug
- Locking mechanism

OPTIONAL FEATURES

The EM-NRV is 100% NFPA 69 compliant with the following optional features :

- **EM-NRV-MS** – Micro-switch for system shut down
- **EM-NRV-DLS** – Dust Level Sensor



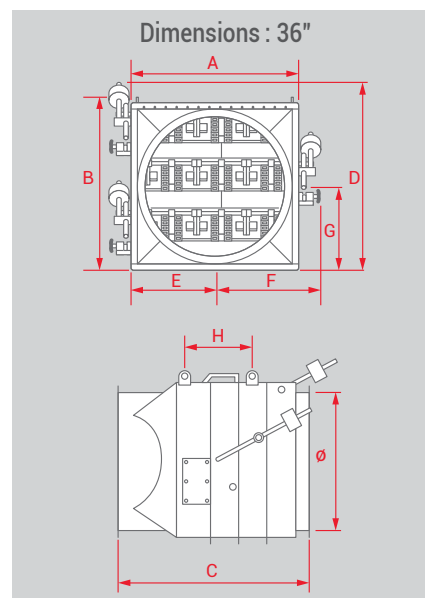
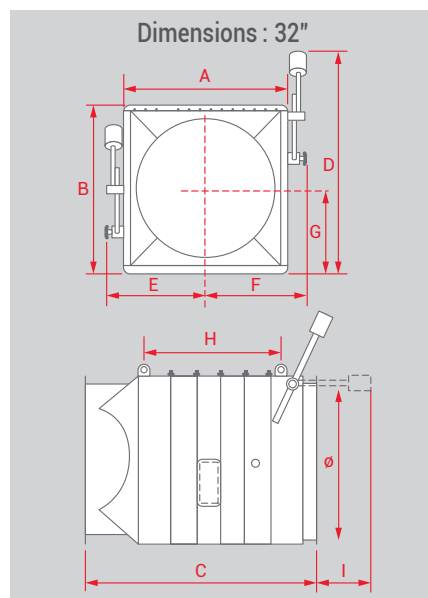
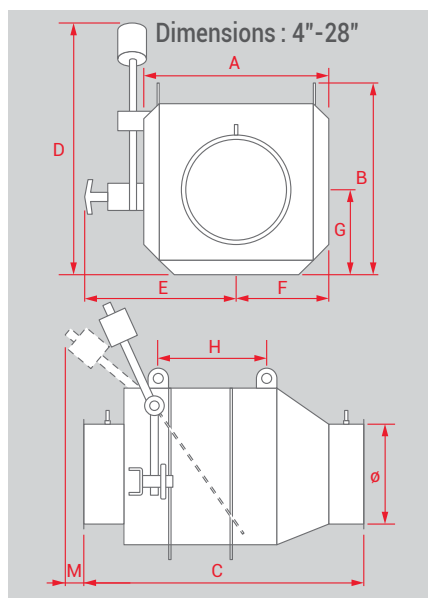
- **EM-NRV-CP** – Intrinsically safe control panel for sensor power and integration with existing new or **EcoBOSS®** Control Panel





PRODUCT CODE: 50100

DIMENSIONS



NO RETURN VALVE (NRV) DIMENSIONS (SIZES 4" - 28")

Ø	A	B	C	D	E	F	G	H	I	LBS
SIZES 4" - 16" RATED FOR : Class ST2 Applications – Kst max 270 bar m/s – Pred max 0.50 bar – Certification EN 16447										
100mm/4"	7.7	6.8	15.0	8.7	9.1	3.8	3.0	0.0	0.0	40
125mm/5"	8.7	7.8	16.0	9.6	9.6	4.3	3.3	0.0	0.0	40
160mm/6"	14.2	13.4	21.7	17.7	11.8	7.1	6.7	0.0	3.0	45
180mm/7"	14.2	13.4	21.7	19.7	11.8	7.1	6.7	0.0	3.0	45
200mm/8"	14.2	13.4	21.7	19.7	11.8	7.1	6.7	0.0	3.0	45
250mm/10"	16.1	15.4	23.6	22.4	12.8	8.1	7.7	0.0	3.1	56
300mm/12"	18.1	17.3	26.4	23.6	13.8	9.1	8.7	0.0	3.1	84
350mm/14"	20.1	19.3	28.3	25.6	14.8	10.0	9.6	11.8	3.1	100
400mm/16"	22.0	23.2	30.3	29.5	15.7	11.0	11.2	13.5	5.1	120
SIZES 18" - 28" RATED FOR : Class ST2 Applications – Kst max 260 bar m/s – Pred max 0.50 bar – Certification EN 16447										
450mm/18"	24.0	25.2	33.1	33.3	16.7	12.0	11.6	15.7	7.1	150
500mm/20"	26.0	27.2	34.3	38.8	17.7	13.0	12.6	18.1	10.6	177
550mm/22"	28.0	29.1	36.2	37.4	18.7	14.0	13.6	19.7	7.1	221
600mm/24"	29.9	31.1	38.2	41.1	19.7	15.0	14.6	21.7	11.4	254
650mm/26"	31.9	33.1	40.2	45.1	20.7	15.9	15.6	23.8	13.4	276
700mm/28"	33.9	35.0	42.1	47.0	21.7	16.9	16.5	25.6	11.0	298

NO RETURN VALVE (NRV) DIMENSIONS (SIZES 32" - 36")

Ø	A	B	C	D	E	F	G	H	I	LBS
SIZE 32" RATED FOR : Class ST2 Applications – Kst max 240 bar m/s – Pred max 0.25 bar – Certification EN 16447										
800mm/32"	38.6	40.4	52.5	56.5	26.0	26.0	18.9	28.1	14.2	728
SIZE 36" RATED FOR : Class ST3 Applications – Kst max 330 bar m/s – Pred max 0.50 bar – Certification EN 16447										
900mm/36"	42.5	44.3	44.7	60.4	28.0	28.0	20.9	28.1	14.2	860

NO RETURN VALVE (NRV) DIMENSIONS (NOT RATED)

1000mm/40"	46.5	48.6	48.2	64.4	29.9	29.9	22.8	35.8	14.2	1000
1100mm/44"	50.4	52.2	51.5	66.9	29.9	29.9	24.6	39.8	14.2	1135
1200mm/48"	54.3	56.1	54.7	70.9	32.7	32.7	26.8	43.7	14.2	1275
1300mm/52"	58.3	59.1	54.7	75.2	34.3	34.3	29.5	47.6	14.2	1425

copyright 2020 Boss Products, LLC



info@bossproductamerica.com – (210) 664-4200

No Return Valve EM-NRV