

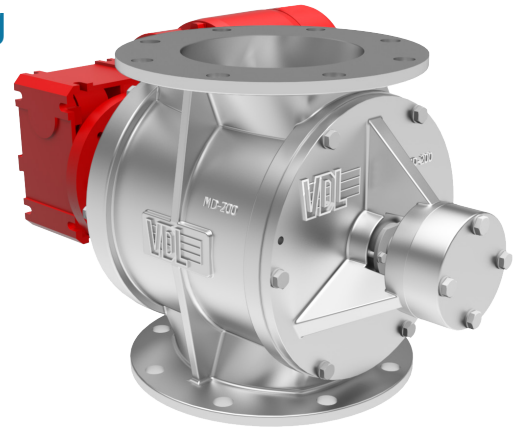


PRODUCT CODES: 58200, 58204, 58205, & 58251

Certified Rotary Valve EMVDL-RVEX-MD

Ideal for feeding, metering and pneumatic conveying applications

Sizes: 6", 8", 10" & 12"



CERTIFICATIONS & STANDARDS

- NFPA 69 Compliant - ATEX Certified EN 15089
- OSHA Compliant drive guard for the Explosion Isolation Model
- External bearing design, 8-vane rotary blade for the Explosion Isolation
- Certified to prevent flame passage for Passive Explosion Isolation

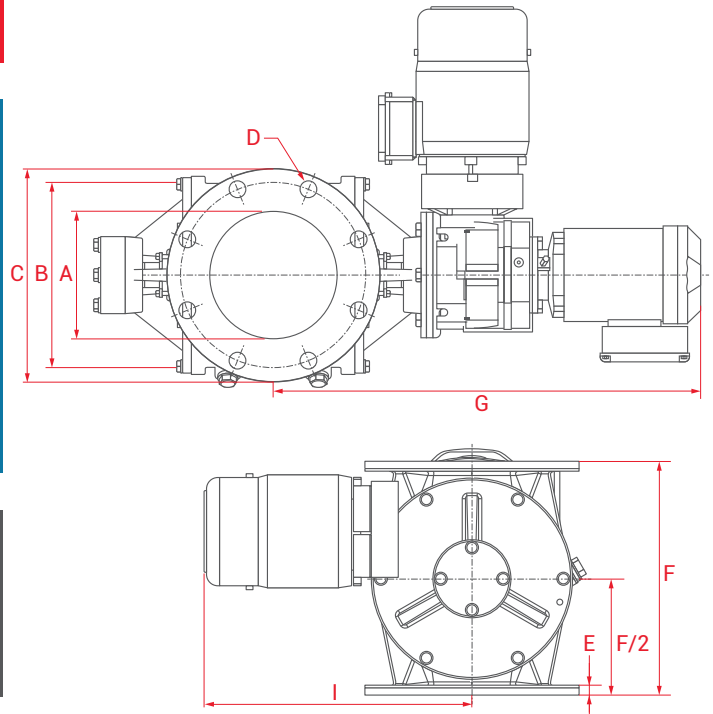


STANDARD FEATURES

- Manages differential pressure up to 15 PSI / 400" WC
- Shaft sealing with adjustable gland gasket
- Cast iron housing with flanged inlet/outlet
- Direct drive motor with gearbox
- 8 vane rotor with options for polyurethane tips, steel or stainless steel
- The Explosion version certified to withstand explosive pressures up to 36 PSI / 25 PSI (985" WC / 670" WC) with polyurethane tips

OPTIONAL FEATURES

- Variable speed drive control option
- Nickel plating or chromium plating options
- Quick-clean valve housing design option



DIMENSIONS *

MODEL	15 RPM HP	30 RPM HP	CAPACITY FT ³ (LTR)	Ø A	Ø B	Ø C	D	E	F	G	H	I
MD150	0.50	0.75	0.10 (3)/rev	6" (150 mm)	9" (240 mm)	11" (285 mm)	8 x Ø23 mm	0.51" (13 mm)	10" (260 mm)		13" (330 mm)	14" (355 mm)
MD200	0.75	1.50	0.39 (11)/rev	8" (200 mm)	12" (300 mm)	13" (340 mm)	8 x Ø23 mm	0.51" (13 mm)	15" (370 mm)		16" (400 mm)	21" (525 mm)
MD250	1.00	1.00	0.74 (21)/rev	10" (250 mm)	14" (350 mm)	16" (395 mm)	12 x Ø23 mm	0.67" (17 mm)	17" (425 mm)	30" (770 mm)		
MD300	1.50	3.00	1.30 (37)/rev	12" (300 mm)	16" (400 mm)	18" (445 mm)	12 x Ø23 mm	0.79" (20 mm)	20" (500 mm)	33" (840 mm)		

Columns G, H and I depend on drive

* Units in inches rounded to the closest whole number

copyright 2022 Boss Products, LLC

6729 GUADA COMA DR. - SCHERTZ, TX 78154 -USA - Main # 210-664-4200

info@bossproductsamerica.com - www.bossproductsamerica.com

