

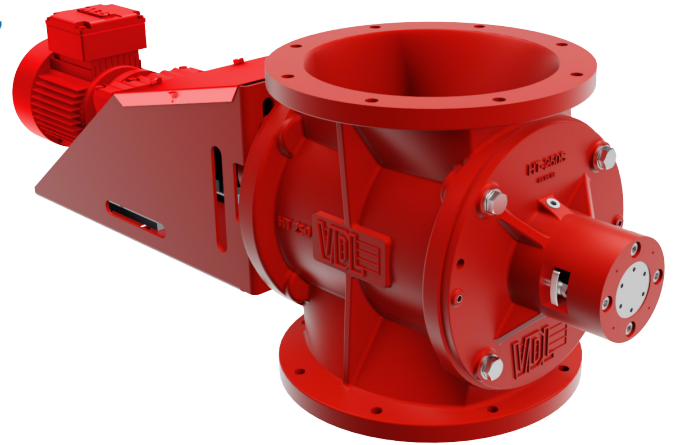


PRODUCT CODES: 58100, 58101, 58102, 58103 & 58131

Certified Rotary Valve EMVDL-RVEX-HTS

Ideal for dust collectors, cyclones, silos, hoppers, and specialized process applications

Sizes: 10" & 14"



CERTIFICATIONS & STANDARDS

- NFPA 69 Compliant - ATEX Certified EN 15089
- OSHA Compliant drive guard for the Explosion Isolation Model
- External bearing design, 8-vane rotary blade for the Explosion Isolation
- Flex tip design certified to prevent flame passage for Passive Explosion Isolation

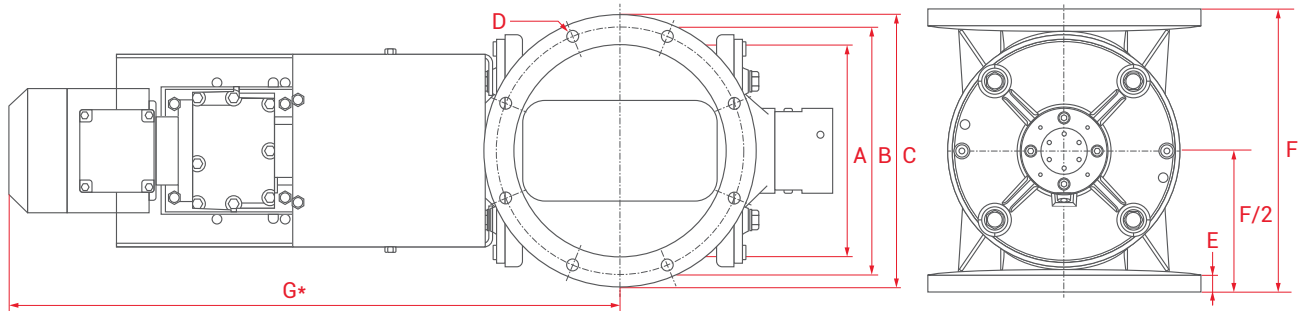


STANDARD FEATURES

- Cast iron housing with safety red finish EX version
- Explosion and Flame Proof design rated up to **25 PSI / 670" WC**
- Airlock in high vacuum installations - applications up to **160" WC**
- Direct drive gearmotor with flex coupling

OPTIONAL FEATURES

- Variable speed drive control option
- Square to round flange adapter including gasket and mounting bolts
- Quick-clean valve housing design option

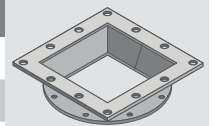


DIMENSIONS*

MODEL	15 RPM HP	30 RPM HP	CAPACITY FT ³ (LTR)	Ø A	Ø B	Ø C	D	E	F*	G
HTS250	0.33	0.75	0.24 (7)/rev	10" (250 mm)	12" (290 mm)	13" (320 mm)	8 x Ø12 mm	0.79" (20 mm)	13" (330 mm)	28" (710 mm)
HTS350	0.50	1.00	0.70 (20)/rev	14" (340 mm)	15" (390 mm)	17" (420 mm)	8 x Ø12 mm	0.79" (20 mm)	16" (400 mm)	33" (830 mm)

SQUARE TO ROUND TRANSITIONS

SQUARE TRANSITION (Nominal Size Inches)	6X6	8X8	10X10	12X12	14X14
SRT	HTS250	HTS250	HTS250	HTS350	HTS350
Transition Height	2.84" (72 mm)	2.80" (71 mm)	2.80" (71 mm)	2.80" (71 mm)	2.80" (71 mm)
Overall Height (Dim F + Transition Height)	16" (402 mm)	16" (401 mm)	16" (401 mm)	19" (471 mm)	19" (471 mm)



* Length varies dependent on motor selection – Units in inches rounded to the closest whole number

copyright 2022 Boss Products, LLC

