

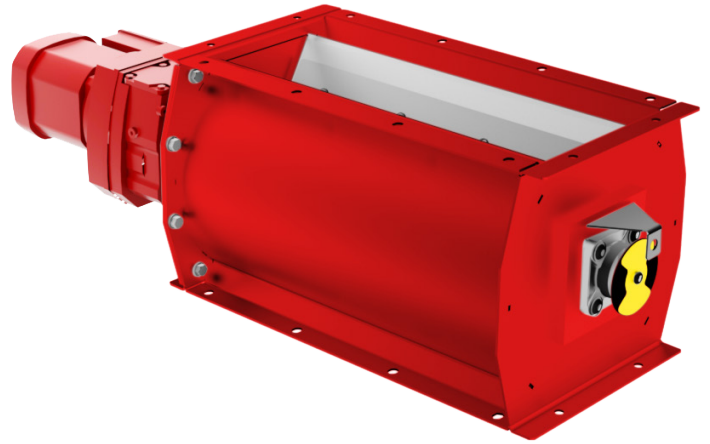


PRODUCT CODE: 58500

Certified Rotary Valve EMVDL-RVEX-BS

Ideal for wood applications

Sizes: 20"x 20", 20"x 30", 20"x 40" & 20"x 60"



CERTIFICATIONS & STANDARDS

- NFPA 69 Compliant - ATEX Certified EN 15089
- OSHA Compliant drive guard for the Explosion Isolation Model
- External bearing design, 8-vane rotary blade for the Explosion Isolation
- Flex tip design certified to prevent flame passage for Passive Explosion Isolation

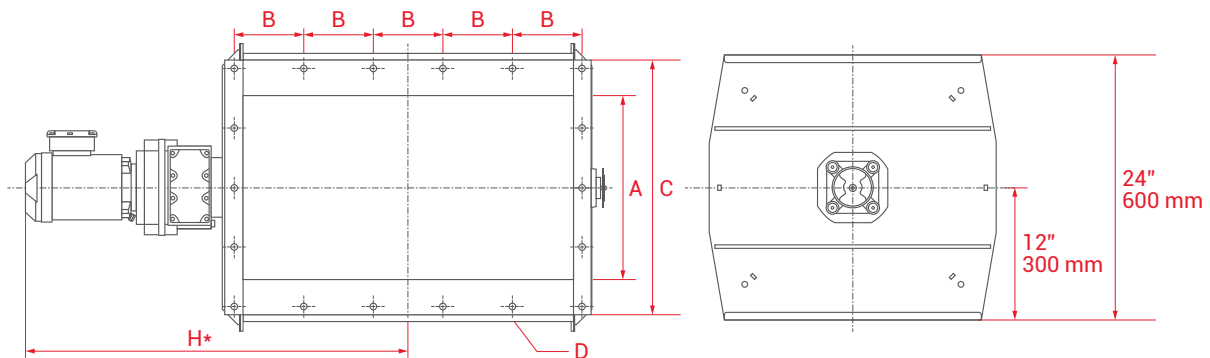


STANDARD FEATURES

- Differential pressures up to 28" WC
- Direct drive gearmotor with flex coupling
- Explosion and flame proof to 7.25 PSI / 201" WC

OPTIONAL FEATURES

- Default: Steel with Neoprene Tip Rotor Blades
- Optional: Steel Rotor with Silicone Tip Blades or Stainless Steel Rotor with Polyurethane Tip Blades



DIMENSIONS *

MODEL	15 RPM HP	22 RPM HP	30 RPM HP	CAPACITY FT ³ (LTR)	A	B	C	D	H
BS500	1.00		2.00	4.41 (125)/rev	20" x 20" (500 x 500 mm)	0.16" x 5.30" (4 x 135 mm)	23" x 23" (580 x 580 mm)	16 x Ø 10.5 mm	30" (742 mm)
BS750	1.00		2.00	6.64 (188)/rev	20" x 30" (500 x 750 mm)	0.20" x 6.22" (5 x 158 mm)	23" x 33" (580 x 830 mm)	18 x Ø 10.5 mm	34" (867 mm)
BS1000	1.50		3.00	8.83 (250)/rev	20" x 40" (500 x 1000 mm)	0.31" x 5.12" (8 x 130 mm)	23" x 43" (580 x 1080 mm)	24 x Ø 10.5 mm	40" (997 mm)
BS1500		3.00		12.7(360)/rev	20" x 60" (500 x 1500 mm)	0.47" x 5.11" (12 x 130 mm)	22.83" x 62.20" (580 x 1580 mm)	32 x Ø 10.5 mm	41" (1046 mm)

Available as BS, Rotary valve with explosion detector and control – Available as BS, Rotary valve only
 * Length varies dependent on motor selection – Units in inches rounded to the closest whole number

copyright 2022 Boss Products, LLC

