

PRODUCT CODE: 56702

High Speed Abort Gate EM-HSAG02

APPLICATIONS

The **High Speed Abort Gate EM-HSAG02** is specifically designed to be installed as a safety component when filtered air is returned to a building. **NFPA** requires a **High Speed Abort Gate** to be activated by an **FM Approved Raptor Spark Detection and Extinguishing System**. When the **Raptor Spark™ Detection & Extinguishing Control Module** detects a potential hazard, the return air is diverted to atmosphere, aborting potential fire from entering a workspace. This abort function can also be activated by the **Dust Probe** when dust particles are detected and/or the **Thermal Probe**.

The **High Speed Abort Gate EM-HSAG02** is just one of the essential **Fire & Explosion Protection** system components provided by Boss Products. This component includes specific protection for **Explosion Prevention, Fire Isolation & Diversion**, specifically designed and engineered to be installed for the protection of workers, equipment, and buildings.



CERTIFICATIONS & STANDARDS

*NFPA Compliant when used in conjunction with
FM Approved Spark Detection System*



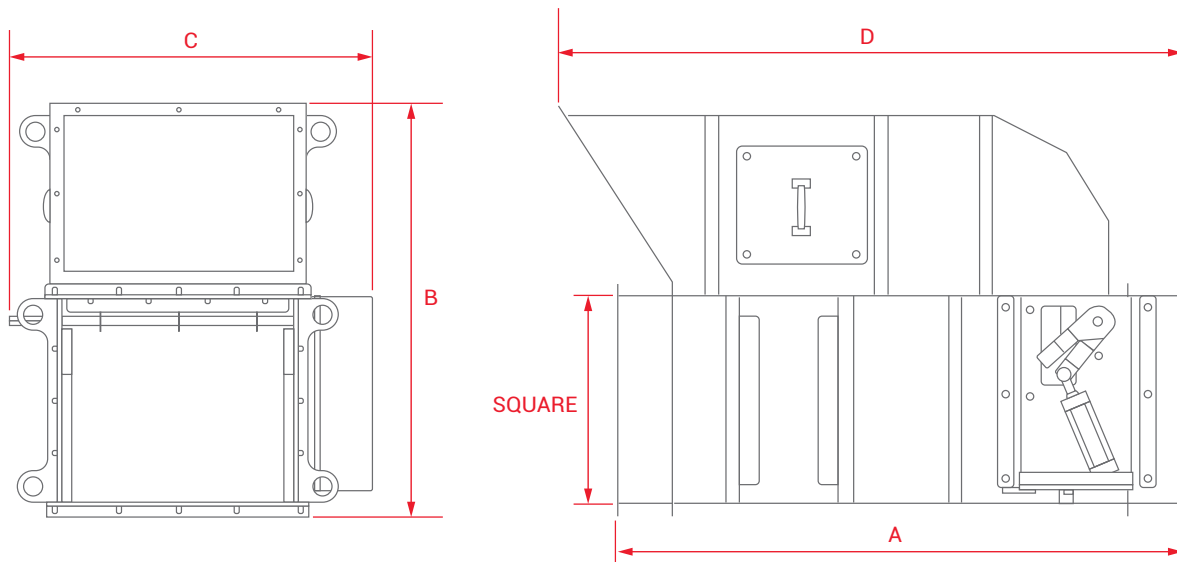
STANDARD FEATURES

- 24V DC Control Panel with Status Lights
- Weather Hood
- Manual Reset Level
- Epoxy Powder coated safety red finish
- Flanged Inlet & Outlet
- NFPA Compliant with Spark Detection
- Electromagnetic Locking Mechanism

OPTIONAL FEATURES

- 110V AC Control Panel with Status Lights Pneumatic Reset Raptor Spark Detection & Extinguishing System

TECHNICAL INFORMATION



HIGH SPEED ABORT GATE SPECIFICATIONS

Ø [in] equivalent	Square [in]	Voltage	Reset	A [in]	B [in]	C [in]	D [in]
14	12x12	24 VDC	Manual Lever	41.0	23	22	39.69
20	18x18	24 VDC	Manual Lever	41.0	25	12	40.50
24	22x22	24 VDC	Manual Lever	55.0	44	22	59.19