

FireBreak Shutter EM-FBS

APPLICATIONS

The **FireBreak Shutter EM-FBS** is engineered to isolate fires and fire hazards in process ventilation and dust collecting applications. The **FireBreak Shutter** is installed in multiple applications ranging from wood dust, metal dust, oil mist and/or any other process that has a fire hazard. Preventative (active) and reactive (passive) solutions are available.

AVAILABLE MODELS

- **EM-FBS00G** – Gravity closure with manual reset
- **EM-FBS00F** – Gravity closure with manual reset. Fusible link activation.
- **EM-FBS00M** – Gravity closure using magnetic release with a pneumatic reset.
- **EM-FBS00P & EM-FBS00PH** – Pneumatic closure & reset, designed for vertical and horizontal positions.

COMMON APPLICATIONS :

- Secondary protection in a **Spark Detection and Extinguishing System**
- Detect and isolation systems without suppression
- Dust collector/vessel isolation when used with a **Fire Suppression System**
- Production area/work zone isolation for high-risk processes



STANDARD FEATURES

- 4 models/styles available from sizes **8" to 48"** diameter
- Heavy-duty welded steel construction
- Flanged inlet and outlet with co-flanges
- Self-cleaning design
- Integral gasketing for positive seal
- Epoxy powder coated safety red finish
- ATEX certified*

* Model FBS-00M is provided as non-ATEX CE listed standard. ATEX version is available upon request.

CERTIFICATIONS & STANDARDS

EN 15650
EN 1366-2
EN 13501-3



OPTIONAL FEATURES

- Thermal Probes for rapid temperature rise activation
- Microswitch for system shut down
- Compressed air reservoir tank
- Fire Suppression System
- Spark Detection and Extinguishing System

DIMENSIONS

* MANUAL RESET EM-FBS00G & EM-FBS00F *				
	A	B	C	weight lbs
Ø 8"	30"	14"	21"	24
Ø 10"	34"	16"	24"	30
Ø 12"	38"	18"	27"	38
Ø 14"	42"	20"	30"	44
Ø 16"	46"	22"	33"	50
Ø 18"	50"	24"	36"	60
Ø 20"	54"	26"	39"	68
Ø 22"	58"	28"	42"	80
Ø 24"	62"	30"	45"	90
Ø 26"	66"	32"	48"	102
Ø 28"	70"	34"	51"	112
Ø 30"	73"	36"	54"	140

NOTE: All EM-FBS (firebreak shutters) come with flanged ends & co-flanges.

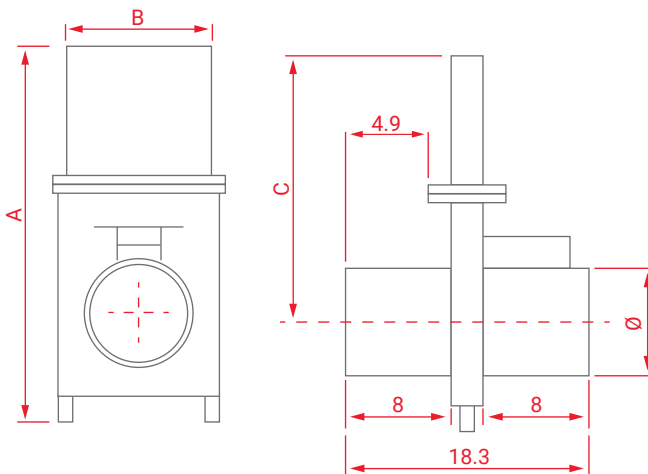
* Units in inches rounded to the closest whole number

* MAGNETIC & PNEUMATIC EM-FBS00M, EM-FBS00P & EM-FBS00PH					
	A	B	C	D	weight lbs
Ø 8"	37"	22"	13"	24"	48
Ø 10"	39"	24"	13"	29"	55
Ø 12"	41"	26"	13"	30"	60
Ø 14"	46"	28"	13"	35"	68
Ø 16"	48"	30"	13"	36"	75
Ø 18"	58"	32"	13"	44"	88
Ø 20"	60"	35"	13"	45"	95
Ø 22"	66"	37"	13"	50"	110
Ø 24"	68"	40"	13"	51"	130
Ø 26"	74"	42"	13"	56"	150
Ø 28"	76"	44"	13"	57"	180
Ø **30"	82"	46"	13"	62"	205
Ø 32"	87"	47"	21"	64"	230
Ø 34"	93"	49"	21"	69"	255
Ø 36"	95"	51"	21"	70"	285
Ø 38"	101"	53"	21"	75"	305
Ø 40"	103"	56"	21"	76"	320
Ø 42"	109"	58"	21"	80"	345
Ø 44"	111"	60"	21"	81"	370
Ø 46"	117"	62"	21"	86"	395
Ø 48"	119"	64"	21"	87"	420

NOTE: ** EM-FBS00M magnetic model available to 30" diameter.

* Units in inches rounded to the closest whole number

Manual Reset



copyright 2021 Boss Products, LLC

Magnetic & Pneumatic

